



Model H8093 2½ Ton Low Profile Garage Jack

⚠️ WARNING

Failure to follow these instructions could result in serious personal injury or death:

1. **DO NOT** overload this jack beyond its rated capacity. Overloading can cause the jack to collapse and drop the load.
2. **ALWAYS** support the vehicle with appropriately rated support stands before working under it.
3. **DO NOT** attempt to move the vehicle while the jack is in use.
4. Use only on hard level surfaces like concrete or asphalt. Other surfaces are potentially unstable.
5. Center the load on the jack to maintain proper balance and stability.
6. **DO NOT** use jack if it begins leaking fluid or if it sinks when placed under load. These are indications that the jack needs to be immediately serviced.

Specifications

Maximum Lifting Capacity 5000 Lbs.
Lifting Range 3³/₈"–15¹/₁₆"
Weight 108 Lbs.

Operation

To raise the jack, rotate the pump valve knob clockwise completely, then move the pump handle or foot pump up and down. To lower the jack, slowly rotate the pump valve knob counterclockwise.

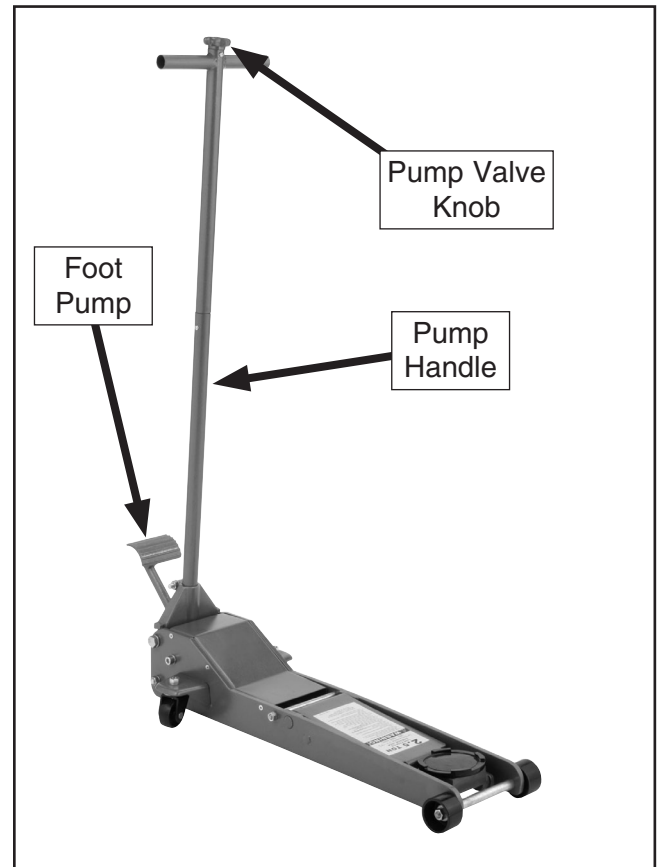


Figure 1. Jack controls.

If you need help with the Model H8093, call our Technical Support line at: (570) 546-9663.

Maintenance

Keep the hydraulic rams clean and free of any dust, dirt, or foreign debris. Abrasive material stuck to the ram can damage the hydraulic seal when the ram is retracted back into the jack. Regularly wipe the hydraulic rams clean with a lightly oiled rag.

The Model H8093 will require hydraulic fluid after long-term use. This will be noticeable if the jack will not reach its maximum height when pumped. Only use a high quality hydraulic fluid.

To add hydraulic fluid:

1. Completely lower the jack.
2. Remove the top cover plate from the jack and remove the fill plug shown in **Figure 2**.

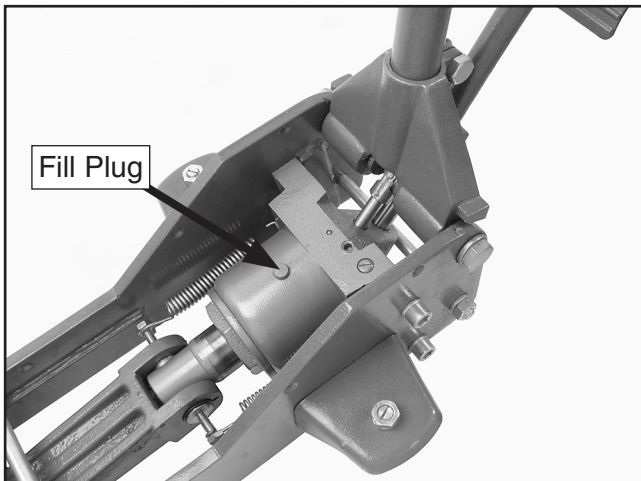


Figure 2. Fill plug.

3. Add fluid until it reaches the top of the fill plug hole.
4. Replace the fill plug.
5. Test the operation of the jack by pumping it up to the maximum height and applying a load. The jack should hold the weight of the load without a sinking or spongy feeling.

—If the jack did not perform properly, then air may need to be bled from the pump system.

Bleeding the Air

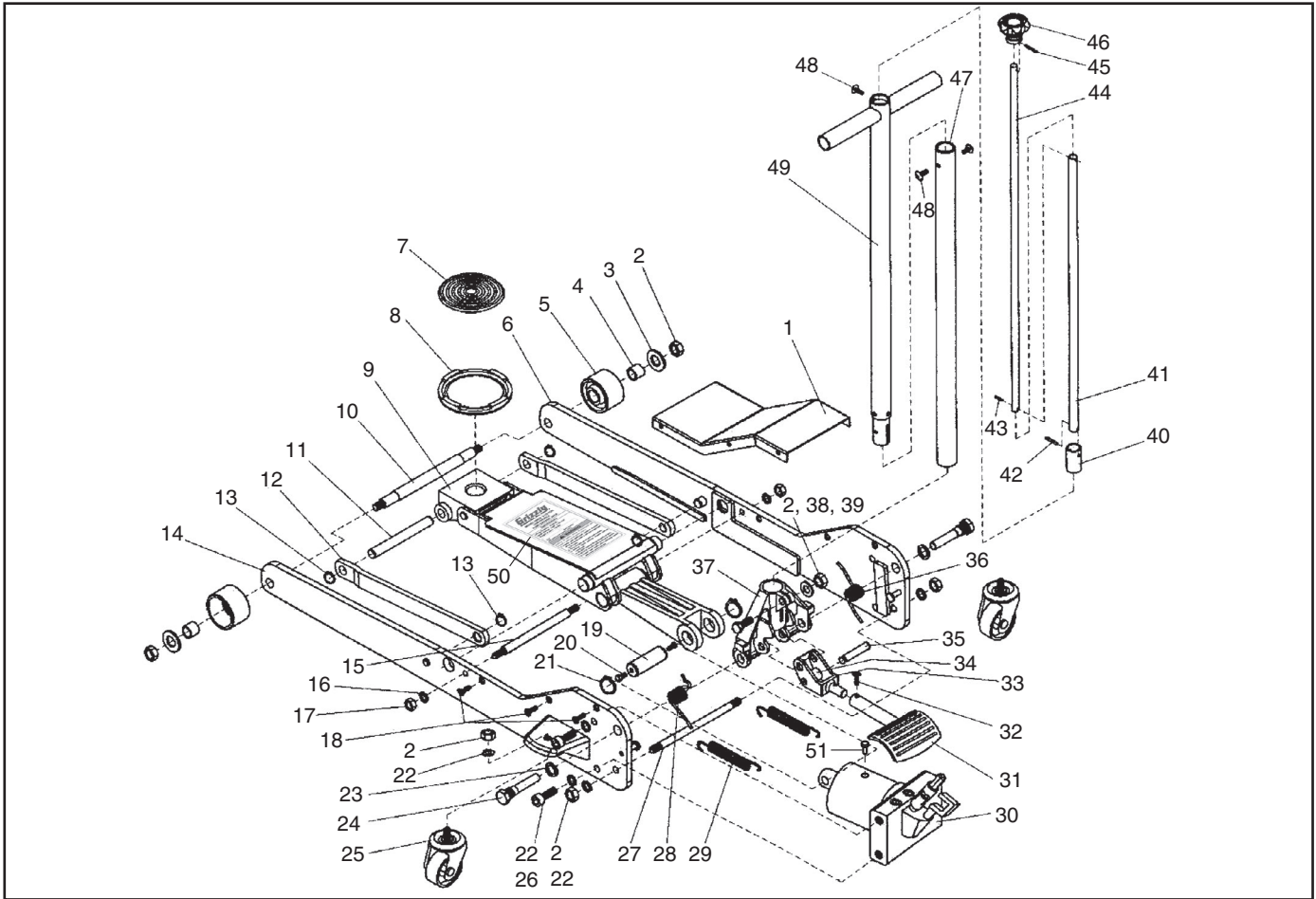
If the jack becomes spongy or will not rise when pumped, then air bubbles may be in the hydraulic system.

To remove the air bubbles:

1. Remove the fill plug.
2. Rotate the pump valve knob counterclockwise one full turn.
3. Pump the jack quickly ten times to purge the air from the system.
4. Replace the fill plug and test the operation of the jack.

—If the jack did not perform properly, then air may need to be bled from the pump system again.

H8093 Parts Breakdown and List



REF	PART #	DESCRIPTION
1	PH8093001	COVER
2	PN09M	HEX NUT M12-1.75
3	PH8093003	FENDER WASHER 12MM
4	PH8093004	FRONT WHEEL SLEEVE
5	PH8093005	FRONT WHEEL
6	PH8093006	LEFT FRAME
7	PH8093007	RUBBER PAD
8	PH8093008	SADDLE
9	PH8093009	LIFTING ARM ASSEMBLY
10	PH8093010	FRONT WHEEL AXIS
11	PH8093011	CONNECTING ROD AXIS
12	PH8093012	LONG CONNECTING ROD
13	PR06M	EXT RETAINING RING 16MM
14	PH8093014	RIGHT FRAME
15	PH8093015	CONNECTING ROD
16	PLW06M	LOCK WASHER 10MM
17	PN02M	HEX NUT M10-1.5
18	PS26M	PHLP HD SCR M6-1 X 20
19	PH8093019	AXIS FOR PUMP
20	PB20M	HEX BOLT M8-1.25 X 35
21	PR11M	EXT RETAINING RING 25MM
22	PLW05M	LOCK WASHER 12MM
23	PLW12M	LOCK WASHER 18MM
24	PH8093024	CONNECTING BOLT
25	PH8093025	REAR CASTER ASSEMBLY
26	PS29M	PHLP HD SCR M12-1.75 X 25

REF	PART #	DESCRIPTION
27	PH8093027	SUPPORT ROD
28	PH8093028	TORSION SPRING
29	PH8093029	EXTENSION SPRING
30	PH8093030	PUMP ASSEMBLY
31	PH8093031	FOOT PEDAL
32	PS14M	PHLP HD SCR M6-1 X 12
33	PH8093033	PEDAL BASE
34	PH8093034	IDLER WHEEL
35	PH8093035	IDLER WHEEL SHAFT
36	PH8093036	TORSION SPRING
37	PH8093037	HANDLE SOCKET
38	PB35M	HEX BOLT M12-1.75 X 40
39	PW06M	FLAT WASHER 12MM
40	PH8093040	OPERATION HEAD
41	PH8093041	OPERATION ROD 2
42	PH8093042	COTTER PIN 4 X 26MM
43	PH8093043	COTTER PIN 3 X 16MM
44	PH8093044	OPERATION ROD 1
45	PH8093045	COTTER PIN 3 X 28MM
46	PH8093046	PUMP VALVE KNOB
47	PH8093047	LOWER HANDLE
48	PS03M	PHLP HD SCR M6-1 X 8
49	PH8093049	UPPER HANDLE
50	PH8093050	MACHINE ID LABEL
51	PH8093051	FILL PLUG

WARNING

The machine ID label warns about hazards and ways to prevent injury. The owner of the jack **MUST** maintain the original location and readability of the label. If the label is removed or becomes unreadable, contact Grizzly at (800) 523-4777 or www.grizzly.com to order a new label.

grizzly.com

TOOL WEBSITE

Buy Direct and Save with Grizzly® – Trusted, Proven and a Great Value!

*Visit Our Website Today And Discover
Why Grizzly® Is The Industry Leader!*

- SECURE ORDERING
- ORDERS SHIPPED WITHIN 24 HOURS
- E-MAIL RESPONSE WITHIN ONE HOUR

-OR-

Call Today For A **FREE**
Full Color Catalog

1-800-523-4777

